

SPECIFICATIONS



Model: 3CC

- CASE** AISI 304 stainless steel
- BEZEL** AISI 304 stainless steel
- DIAMETER** 63mm
- RANGES** -40 TO 200 °C
- ACCURACY** ±1 % of full scale deflection
- WINDOW** Glass

FEATURES

- Direct mounting, co-axial thermometer.
- For measurement of liquid and gas in pipelines, tanks, plant machinery, etc.
- Copper alloy sensor for good thermal conductivity.
- Close tolerance, custom-made pocket maximises conductivity with probe.

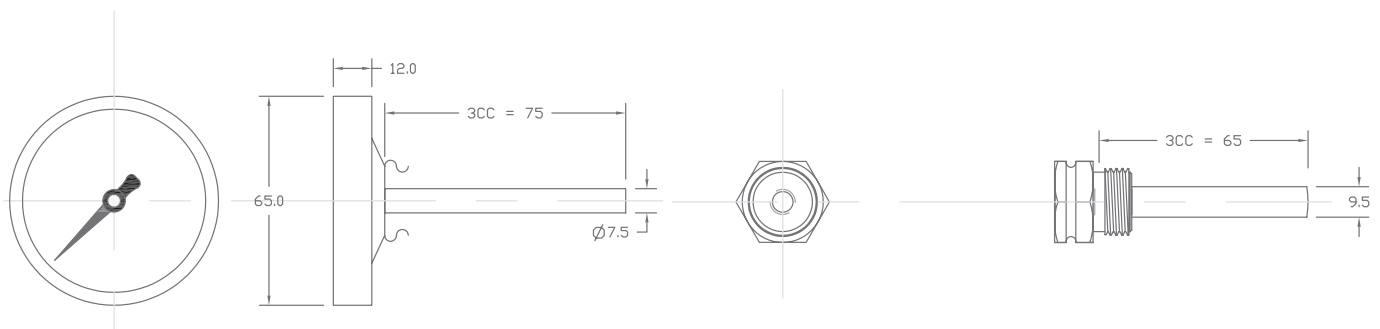
OPTIONS

- Nickel plated or stainless steel thermowells.
- Customised dial markings, e.g. logos, sectors, other temperature units.

STANDARD RANGES

Standard Ranges °C	Scale Divisions
-40/60	2 °C
-20/40	1 °C
-20/80	2 °C
0/50	1 °C
10/70	2 °C
0/100	2 °C
0/120	2 °C
0/150	2 °C
0/200	2 °C

DIMENSIONS (mm)



ORDERING GUIDE

Model **3 CC** **0/120** **N**

Temperature Range

Thermowell

N - Nickel Plated
S - Stainless Steel

Manufactured in New Zealand by
TEL THERM INSTRUMENTS LTD.
 5/343 Church St,
 Onehunga
 Auckland 1061

P.O. Box 12-171,
 Penrose
 Auckland 1642

Ph: +64 9 633 0040
Fax: +64 9 633 0012
Email: sales@teltherm.co.nz
www.teltherm.co.nz