



Model: 3025

SPECIFICATIONS

CASE	AISI 304 stainless steel
BEZEL	AISI 304 stainless steel
BOURDON TUBE	AISI 316 stainless steel
STEM	AISI 316 stainless steel
WINDOW	Polycarbonate
GASKET	Silicone
FILLING LIQUID	Glycerine

OPERATION

The 3025 is designed to withstand vigorous conditions and is made of all 316 stainless steel wetted parts. The design and accuracy of this Teltherm gauge complies with BS EN 837-1:1998 for class 1.6 pressure gauges.

FEATURES

- DUAL SCALE** kPa and psi standard, other engineering units available on request.
- ACCURACY** ±1.6 % of full scale. Gauges are tested on ascending and descending pressure.
- LIQUID FILLED** This acts as a dampening agent for the sensitive element and movement and also reduces pointer flutter to allow easier reading. Gauge service life is therefore extended. Normal fill is glycerine.
- THREAD TYPE** Standard ¼ " NPT
Others available on request: ¼ " BSP

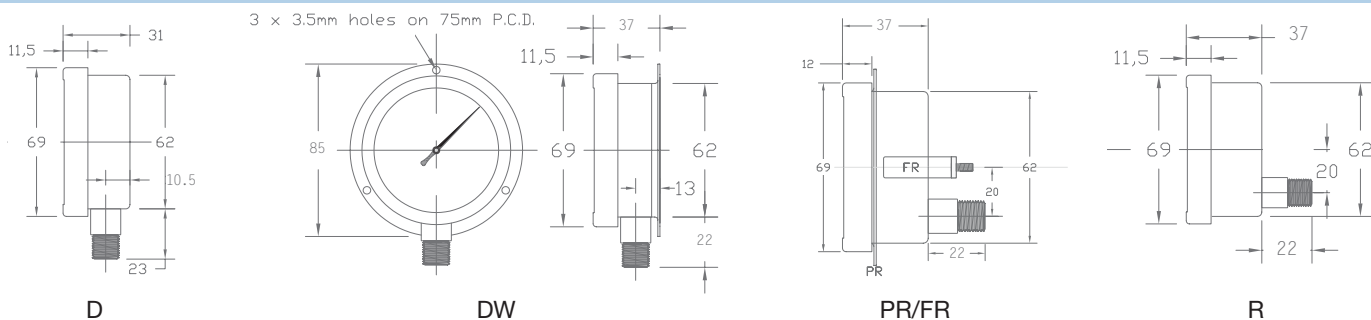
Pressure Ranges kPa

Vacuum	-100/0
Pressure	0/70, 0/100
	0/250, 0/400, 0/600
	0/1000, 0/1600
	0/2500, 0/4000, 0/6000
	0/10000, 0/16000
	0/25000
	0/40000, 0/60000, 0/100000
Compound	-100/150, -100/300
	-100/500, -100/900, -100/1500 -100/2400

OPTIONS

Silicone Filled, Adjustable Pointers, Drag Pointers (Max Reading), Special Scales, Corporate Logos, Ammonia Scales, Freon Scales, Coloured Sectors

DIMENSIONS (mm)



HOW TO ORDER

Model ----- **3025** **DL** **0/1000** **¼ " BSP**

----- Thread Type

Types ----- Range

- C - Compound
- D - Direct mounting, bottom
- FR - Rear entry, flush panel mount with back strap
- PR - Rear entry, flush panel mount with 3 hole ring
- L - Liquid filled
- R - Direct mount - rear
- W - Wall mount with back flange
- X - Specials - state

Manufactured in New Zealand by
TEL THERM INSTRUMENTS LTD.

5/343 Church St,
Onehunga
Auckland 1061

P.O. Box 12-171,
Penrose
Auckland 1642

Ph: +64 9 633 0040
Fax: +64 9 633 0012
Email: sales@teltherm.co.nz
www.teltherm.co.nz